

6600

END MILL RE-SHARPENER MG413

¥18400



Model	6600
Drill Diameter	φ4mm~φ13mm
Point Angle	
Dresser	SDC diamond grinding wheel #300 (for 4mm-6mm) SDC diamond grinding wheel #300/#120 (for 7mm-13mm)
Motor	3/4HP 450W
R.P.M	6000R.P.M
Power Supply	AC110V/AC220V(Single-phase)
Weight	17kg

Model	Vocts
6600-110	110V
6600-220	220V

6602-01

DRILL RESHARPENING MACHINE DG213

¥9200



Model	66002-01
Drill Diameter	Φ2mm~Φ13mm
Point Angle	90°~135°
Power Supply	AC110V/AC220V(Single-phase)
Motor	1/3HP 250W
R.P.M	5500R.P.M
Weight	8.5kg

Model	Vocts
6602-01-110	110V
6602-01-220	220V

6602-02

DRILL RESHARPENING MACHINE DG1226

¥18395



Model	66002-02
Drill Diameter	Φ12mm~Φ26mm
Point Angle	90°~135°
Power Supply	AC110V/AC220V(Single-phase)
Motor	1/2HP 450W
R.P.M	2500R.P.M
Weight	26kg

Model	Vocts
6602-02-110	110V
6602-02-220	220V

6603

UNIVERSAL GRINDING CUTTER U2



¥16100

Specifications:
Maximum clamping diameter: 18mm
Max grinding diameter: 25mm
Taper angle: 0~180°
Clearance angle: 0~45°
Negative cone angle: 0~26°
Spindle speed: 3600rpm
Blood type grinding wheel diameter: 100 x 50 x 20mm
Motor: 1/3HP 220V/380V 50/60Hz
Machine size: L450×W400 ×H350mm

6605

HIGH SPEED CUT-OFF MACHINE TY280

¥12420



Order No.	Model	Maximum cut-off range	Cutting tolerance	Grinding wheel size
6605-110	TY280-110	φ20 100mm(W)	20±0.10mm	150mm 1mm 19.05mm
6605-220	TY280-220	φ20 100mm(W)	20±0.10mm	150mm 1mm 19.05mm

Order No.	Model	Speed R.P.M	Voltage (Single-phase)	Length of positioning ruler	weight (kg)
6605-110	TY280-110	3600	1/2HP 110	300mm	86
6605-220	TY280-220	3600	1/2HP 220	300mm	86

6608

PRECISION CUTTING & MILLING MACHINE

TY300, 500, 600



1. Suitable for die, round tip, stainless steel and so on
2. Cutting, grinding once completed, can shorten the working time, accurate cutting angle
3. Rapid fixture design, easy to hold fast
4. Trimming micrometer, quick positioning dimensions
5. Grinding wheel, can be used to adjust the rest at any time, the same size
6. High stability, low wear rate, long service life
7. Size: L430 × W380 × H540mm

Note: "CE" is a European security certification mark

Order No.	Model	cutting precision	right angle precision	Grinding wheel size	Speed R.P.M	Voltage (Single-phase)	Length of positioning ruler	weight (kg)	Price
6608-01	TY-300×110V	φ25~300 ±0.03	φ25~90° ±0.03	WA46K ×100 ×50 ×20	3600	3/4HP 110	300mm	87.5	-
6608-02	TY-300×110V-CE					3/4HP 110-CE	300mm	87.5	-
6608-03	TY-300×220V					3/4HP 220	300mm	87.5	22500
6608-04	TY-300×220V-CE					3/4HP 220-CE	300mm	87.5	-
6608-05	TY-300×380V					3/4HP 380	300mm	87.5	20000
6608-06	TY-300×380V-CE					3/4HP 380-CE	300mm	87.5	-
6608-07	TY-500×110V	φ25~300 ±0.02	φ25~90° ±0.02	WA46K ×100 ×50 ×20	3600	3/4HP 110	500mm	91.5	-
6608-08	TY-500×110V-CE					3/4HP 110-CE	500mm	91.5	-
6608-09	TY-500×220V					3/4HP 220	500mm	91.5	23100
6608-10	TY-500×220V-CE					3/4HP 220-CE	500mm	91.5	-
6608-11	TY-500×380V					3/4HP 380	500mm	91.5	20600
6608-12	TY-500×380V-CE					3/4HP 380-CE	500mm	91.5	-
6608-13	TY-600×110V	φ25~300 ±0.01	φ25~90° ±0.01	WA46K ×100 ×50 ×20	3600	3/4HP 110	600mm	93.5	-
6608-14	TY-600×110V-CE					3/4HP 110-CE	600mm	93.5	-
6608-15	TY-600×220V					3/4HP 220	600mm	93.5	23700
6608-16	TY-600×220V-CE					3/4HP 220-CE	600mm	93.5	-
6608-17	TY-600×380V					3/4HP 380	600mm	93.5	21200
6608-18	TY-600×380V-CE					3/4HP 380-CE	600mm	93.5	-

6609

V SHAPED CHAMFERING MACHINE (FACE MILLING CUTTER TYPE) ¥8025

Order No.	Model	Chamfer capacity	Speed	Voltage	Net weight	Gross weight	Packing size
6609-110				110V			
6609-220	VCM500	0~3mm	3600R.P.M	220V	26kg	28kg	53×42×41cm
6609-380				380V			



6609-01

V SHAPED CHAMFERING MACHINE (GRINDING WHEEL TYPR) ¥8025

VCMW500

Order No.	Model	Chamfer capacity	Speed	Voltage	Net weight	Gross weight	Packing size
6609-01-110				110V			
6609-01-220	VCMW500	0~3mm	3600R.P.M	220V	26kg	28kg	53×42×41cm
6609-01-380				380V			



6610

SIDE MILLING CHAMFERING MACHINE GH500A



¥5230

Specifications:
Size: L500 × W320 × H320
Voltage: single phase 110V/220V,
three-phase 220V/380V
HP: 1HP.50~60Hz
Speed: 3500R.P.M
Chamfer height: 0~3mm
Chamfer adjustment angle range: 15° ~45°

6610-01

¥7335

CHAMFERING MACHINE (SIDE CUTTER TYPE) CMS500



Order No.	Model	Chamfer capacity	Speed	Voltage	Net weight	Gross weight	Packing size
6610-01-110	CMS500	0~3mm	3600R.P.M	110V	28kg	30kg	53×42×41cm
6610-01-220				220V			
6610-01-380				380V			

6613

FLAT SURFACE MILLING CHAMFERING MACHINE

GH500B



¥5920

Specifications:
Size: L500 × W320 × H460
Voltage: single phase 110V/220V,
three-phase 220V/380V
HP: 1HP.50~60Hz
Speed: 3500R.P.M
Chamfer height: 0~3mm
Chamfer adjustment angle range: 45°

6613-01

¥8025

CHAMFERING MACHINE (FACE MILLING CUTTER TYPE) CMC500N



Order No.	Model	Chamfer capacity	Speed	Voltage	Net weight	Gross weight	Packing size
6613-01-110	CMC500N	0~3mm	3600R.P.M	110V	29kg	31kg	53×42×41cm
6613-01-220				220V			
6613-01-380				380V			

6615

BOWI WHEEL CHAMFERING MACHINE GH500C



¥5920

Specifications:
Size: L500 × W320 × H320mm
Wheel size: 125 x 31.75 x thick 50mm.#60 (V6 type)
Voltage: single phase 110V/220V,
three-phase 220V/380V
HP: 1HP.50~60Hz
Slide length: 500mm
Speed: 3500R.P.M
Chamfer height: 0~3mm
Chamfer angle: 45°

¥7765

CHAMFERING MACHINE (GRINDING WHEEL TYPE) CMW500N



Order No.	Model	Chamfer capacity	Speed	Voltage	Net weight	Gross weight	Packing size
6615-01-110	CMW500N	0~3mm	3600R.P.M	110V	28kg	30kg	53×42×41cm
6615-01-220				220V			
6615-01-380				380V			

6620

DISK ESPER CHAMFERING MACHINE GH300

¥6990



Specifications:
Size: L380 × W320 × H310mm
Wheel size: 165 22mm diameter
Voltage: single phase 110V/220V,
three-phase 220V/380V
HP: 1HP.50~60Hz
Slide length: 500mm
Speed: 3500R.P.M
Chamfer height: 0~3mm
Chamfer angle: 45°

6620-01

¥6210

CHAMFERING MACHINE (SANDING WHEEL TYPE) CMS320



Order No.	Model	Chamfer capacity	Speed	Voltage	Net weight	Gross weight	Packing size
6620-01-110	CMS320	0~1mm	3600R.P.M	110V	24kg	26kg	53×42×41cm
6620-01-220				220V			

6625

PORTABLE REGULAR TYPE CHAMFERING MACHINE GH320C/R/S

¥4055



Specifications:
Blade specification: 9.525mm
(SPMW090304)
Perforated square blade
Voltage: single phase 110V/220V
HP: 500W
Speed: 8000R.P.M
Chamfering depth: 0-3mm

6625

VERTICAL HAND CHAMFERING TOOL VHCT

¥4055



Order No.	Model	Chamfer capacity	Speed	Voltage	Net weight	Gross weight	Packing size
6625-01-03HG-110	VHCT-03HG	3mm	1200R.P.M	110V	2.5kg	2.8kg	36×13.5×12.5cm
6625-01-03HG-220				220V			

6626

¥4200

STRONG PORTABLE CHAMFERING MACHINE GH320A



Specifications:
Size:
L360 × W200 × H260mm
Voltage: 220V/380V
HP: 0.5HP
Slide length: 200mm
Speed: 50/60Hz 3500R.P.M
Chamfer adjustment angle
range: 15° ~45°
Chamfering depth: 0-9mm

6627

¥3925

AIR HAND CHAMFERING TOOL AHCT



Order No.	Model	Chamfer capacity	Speed	wind pressure	Net weight	Gross weight	Packing size
6627	AHCT-03	3mm	1200R.P.M	90psi/63kg/cm	2.5kg	2.9kg	36×13.5×12.5cm

6628

¥3710

IRREGULAR TYPE CHAMFERING TOOL IHCT

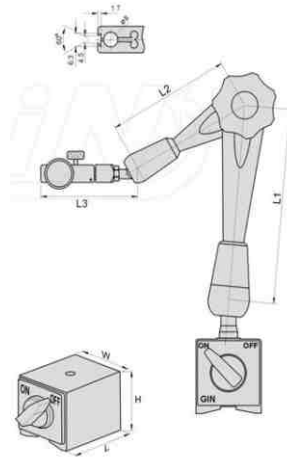


Order No.	Model	倒角能力	回转速	电压	净重	毛重	装箱尺寸	备注
6628-03HG-110	IHCT-03HG	0~3mm	1200R.P.M	110V	2.2kg	2.4kg	36×13.5×12.5cm	日制电机
6628-03HG-220				220V				

5485

UNIVERSAL ARM MAGNETIC BASE

320, 340, 360



Unit:mm

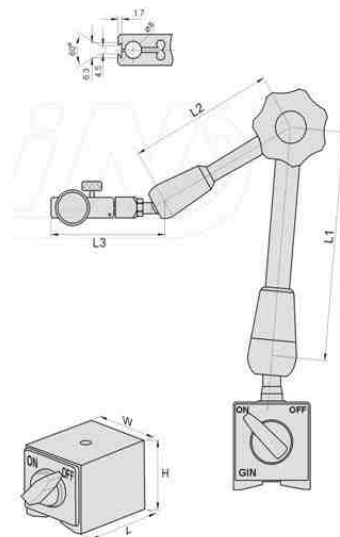
Order No.	Model	Power Holding	Arm Length			Base Dimension			N.W.	Price
			L1	L2	L3	L	W	H		
5485-08	320	80kgf	112	102	65	60	50	55	1.4kg	560
5485-09	340	80kgf	135	110	70	60	50	55	1.6kg	1080
5485-10	360	100kgf	145	130	80	80	50	55	2.1kg	1350

5486

UNIVERSAL ARM MAGNETIC BASE

300A, 300AL, 300ALL

Precision type hydraulic arm





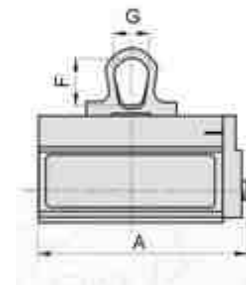
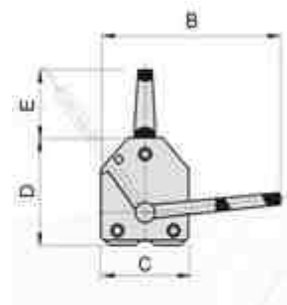
Unit:mm

Order No.	Model	Power Holding	Arm Length			Base Dimension			N.W.	Price
			L1	L2	L3	L	W	H		
5486-01	300A	100kgf	120	118	70	80	50	55	2.3kg	2245
5486-02	300AL	100kgf	168	166	70	80	50	55	2.5kg	2768
5486-03	300ALL	160kgf	285	280	95	120	50	55	3.5kg	5995



LIFTING PARAMETERS

Lifting form	Maximum lifting load kg	Minimum thickness mm	Maximum length mm	Maximum diameter mm	
 Face	Max×250	250	20	1500	--
	Max×500	500	25	2000	--
	Max×1000	1000	40	3000	--
	Max×1500	1500	45	3000	--
	Max×2000	2000	55	3000	--
 Round	Max×250	100	10	1500	300
	Max×500	200	15	2000	400
	Max×1000	400	25	3000	450
	Max×1500	600	30	3000	500
	Max×2000	800	35	3000	600



Precision : ± 0.005

Unit:mm

Order No.	Model	A	B	C	D	E	F	G	N.W. (Kg)	Price
5566-250	Max×250	189	185	79	79	63	35	43	6	7500
5566-500	Max×500	249	358	106	101	88	52	60	15	13200
5566-1000	Max×1000	342	316	133	131	88	52	60	34	19200
5566-1500	Max×1500	383	457	166	171	122	64	87	66	29550
5566-2000	Max×2000	457	457	166	171	122	64	87	80	35400